

PPS 1U 1500W & 1600W SERIES

High Precision Series Programmable DC Power Supplies



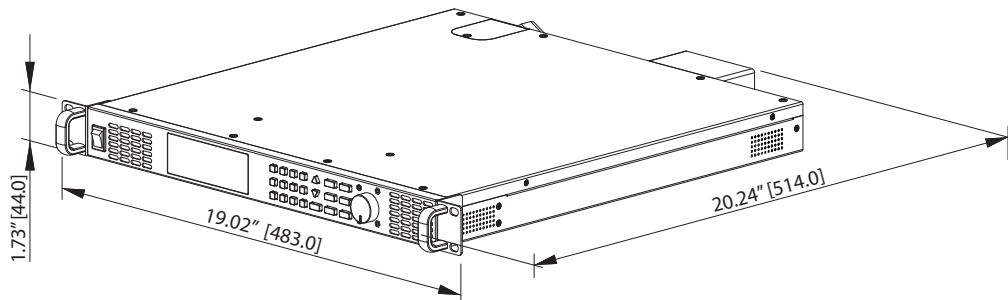
Applications

- ◆ PPS Series 1500W & 1600W is a switch-mode single output programmable DC Power Supply providing high power density in a 1U (1.75" Height) stand-alone or rack-mount system. It is a high-precision programmable DC source using 16 bit D/A & 24 bit A/D sampling circuits, and with voltage and current resolution of up to 0.1mV and 0.2mA respectively. The unit allows Master/Slave Series/Parallel modes and multiple communication interfaces, which allows a more flexible and convenient use of the power supply.
- ◆ These units are ideal for automatic test equipment (ATE) as well as electronic laboratories for testing any electronic industrial or medical equipment. Additionally these power supplies can be used for burn-in of power supplies and DC-DC converters.

Features

- 1.5 kW & 1.6 kW / 1U high power density
- Master/Slave parallel & series operation modes for up to 4 units
- Accurate voltage and current measurement capability
- High-speed programmable interface
- Coded knob, multifunctional keyboard
- Automatic switchover between constant voltage (CV) and constant current (CC) operating modes
- Software controlled voltage rate of rise and fall functions
- Equipped with LIST waveform editing function
- Protection functions: OVP, OCP, OPP, SCP and OTP
- Standard RS232, RS485, LAN and USB communication interfaces (ports)
- Uses Standard Commands for Programmable Instrumentation (SCPI) communication protocol
- Standard analog external remote inputs
- Remote sensing line voltage-drop compensation
- DVM independent measurement function
- Certified to CE, UL, CSA, FCC
- Power supply monitoring software for remote operation of the unit
- Custom software programming possible

Outline Drawing



For more information, please visit us at www.mideastind.com or email us at meisales@theallpower.com

MODEL	PPS1U1500W20VDC	PPS1U1500W60VDC	PPS1U1500W75VDC	PPS1U1600W20VDC	PPS1U1600W32VDC	PPS1U1600W40VDC
Input Voltage Range	90 ~ 265 VAC	90 ~ 265 VAC	90 ~ 265 VAC	90 ~ 265 VAC	90 ~ 265 VAC	90 ~ 265 VAC
Input Frequency Range	47 ~ 63 Hz	47 ~ 63 Hz	47 ~ 63 Hz	47 ~ 63 Hz	47 ~ 63 Hz	47 ~ 63 Hz
Power Factor	> 0.98	> 0.98	> 0.98	> 0.98	> 0.98	> 0.98
Output Power Range	0 ~ 1500 W	0 ~ 1500 W	0 ~ 1500 W	0 ~ 1600 W	0 ~ 1600 W	0 ~ 1600 W
Output Voltage Range	0 ~ 20 V	0 ~ 60 V	0 ~ 75 V	0 ~ 20 V	0 ~ 32 V	0 ~ 40 V
Output Current Range	0 ~ 75 A	0 ~ 25 A	0 ~ 20 A	0 ~ 80 A	0 ~ 50 A	0 ~ 40 A
Voltage Display Resolution	0.1 mV	0.1 mV	0.1 mV	0.1 mV	0.1 mV	0.1 mV
Current Display Resolution	0.2 mA	0.2mA	0.2 mV	0.2 mA	0.2mA	0.2 mV
Voltage Programmable Resolution	1.5 mV	1.5 mV	1.5 mV	1.5 mV	1.5 mV	1.5 mV
Current Programmable Resolution	2 mA	2 mA	2 mA	2 mA	2 mA	2 mA
Voltage Setting Accuracy	0.05% +15mV	0.05% +15mV	0.05% +15mV	0.05% +15mV	0.05% +15mV	0.05% +15mV
Current Setting Accuracy	0.1% + 75 mA	0.1% + 25 mA	0.1% + 20 mA	0.1% + 80 mA	0.1% + 50 mA	0.1% + 40 mA
Voltage Measurement Accuracy	0.05% +15mV	0.05% +15mV	0.05% +15mV	0.05% +15mV	0.05% +15mV	0.05% +15mV
Current Measurement Accuracy	0.1% + 75 mA	0.1% + 25 mA	0.1% + 20 mA	0.1% + 80 mA	0.1% + 50 mA	0.1% + 40 mA
Voltage Ripple	80mVp - p/10mVrms					
Current Ripple	100mA	40mA	40mA	100mA	80mA	80mA
Voltage Load Regulation	10mV	10mV	10mV	10mV	10mV	10mV
Current Load Regulation	75mA	25mA	20mA	80mA	50mA	40mA
Line Voltage Regulation	0.005%+1mV	0.005%+1mV	0.005%+1mV	0.005%+1mV	0.005%+1mV	0.005%+1mV
Line Current Regulation	4mA	4mA	4mA	3mA	4mA	4mA
Voltage Temperature Coefficient	100ppm/°C (TYP Value)					
Current Temperature Coefficient	300ppm/°C (TYP Value)					
DVM Resolution	0.1mV	0.1mV	0.1mV	0.1mV	0.1mV	0.1mV
DVM Accuracy	0.02%+5mV	0.02%+5mV	0.02%+5mV	0.02%+5mV	0.02%+5mV	0.02%+5mV
Operating Mode	Constant Voltage (CV) / Constant Current (CC)					
Remote Compensation	4V max					
Response (Voltage Rise)	≤ 10 ms	≤ 10 ms	≤ 10 ms	≤ 10 ms	≤ 10 ms	≤ 10 ms
Response (Voltage Drop)	≤ 80 ms (No Load) ≤ 10 ms (Full Load)	≤ 100 ms (No Load) ≤ 10 ms (Full Load)	≤ 100 ms (No Load) ≤ 10 ms (Full Load)	≤ 80 ms (No Load) ≤ 10 ms (Full Load)	≤ 100 ms (No Load) ≤ 10 ms (Full Load)	≤ 100 ms (No Load) ≤ 10 ms (Full Load)
Load Transient Recovery Time	≤ 2 ms	≤ 1.5 ms	≤ 1.5 ms	≤ 2 ms	≤ 2 ms	≤ 2 ms
Command Respond Time	50ms	50ms	50ms	50ms	50ms	50ms
Efficiency (Full Load)	83%	91%	91%	82%	89%	90%
Communication Modes	RS232 / RS485 / USB / LAN					
Protection Functions	OVP / OCP/ OTP / OPP / SCP Protection functions					
Net Weight	20.94 lb / 9.5 kg	19.62 lb / 8.9 kg	19.62 lb / 8.9 kg	20.94 lb / 9.5 kg	20.28 lb / 9.2 kg	20.28 lb / 9.2 kg
Weight of Accessories	1.76 lb / 0.8 kg	1.76 lb / 0.8 kg	1.76 lb / 0.8 kg	1.76 lb / 0.8 kg	1.76 lb / 0.8 kg	1.76 lb / 0.8 kg
Dimensions [mm] (W x H x D)	19.02" x 1.73" x 21.65" [483 x 44 x 550]	19.02" x 1.73" x 20.90" [483 x 44 x 531]	19.02" x 1.73" x 20.90" [483 x 44 x 531]	19.02" x 1.73" x 21.65" [483 x 44 x 550]	19.02" x 1.73" x 20.90" [483 x 44 x 531]	19.02" x 1.73" x 20.90" [483 x 44 x 531]
Operating Environment	Temp.: 0°C to 40°C, Relative humidity: 10% to 90% (non-condensing)					
Cooling	Forced Cooling					
Certification	CE / UL / CSA / FCC					



MID EASTERN INDUSTRIES

Leader in linear technology since 1959

100 School Street, Bergenfield, NJ 07621

Phone: (201) 385-0500 Fax: (201) 385-0702

Website: www.mideastind.com